

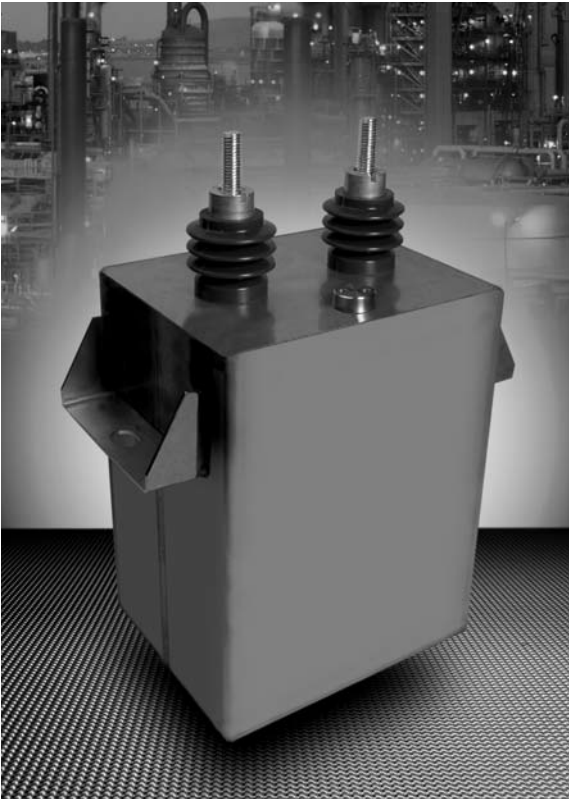
APPLICATIONS

DC voltage filtering for all types of application

PACKAGING

Rectangular non-magnetic stainless steel case.
Grounding is via a nut on the top of the case.

PRESENTATION



ELECTRICAL CHARACTERISTICS

Capacitance range C_n	88 μ F to 1620 μ F
Tolerance on C_n	$\pm 10\%$
Nominal DC voltage range	1200V to 3900V
Operating hot-spot temperature range	-55°C to 85°C
Lifetime at V_n and 70°C hot-spot temperature	100,000 hours
Stray inductance	<400nH
Maximum Rms current	see table of values
Test voltage between terminals	1.5 V_n during 10s
Test voltage between shorten terminals and case	6kV _{rms} at 50Hz during 10s

Table of Values

4 sizes and 12 voltages available according to following tables

millimeters (inches)

Type	Length	Width	Height
A	166 (6.535)	70 (2.756)	210 (8.268)
B	166 (6.535)	102 (4.016)	210 (8.268)
C	166 (6.535)	134 (5.276)	210 (8.268)
D	166 (6.535)	166 (6.535)	210 (8.268)

Type	$V_n = 1200 \text{ to } 1400\text{V}$				$V_n = 1800\text{V}$			
	C (μF)	R_s ($\text{m}\Omega$)	$I_{\text{rms max}}$ (A)	Part Number	C (μF)	R_s ($\text{m}\Omega$)	$I_{\text{rms max}}$ (A)	Part Number
A	650	3.48	56	DNCFM1K4A0657	426	4.35	46	DNCFM1K8A4266
B	975	2.6	84	DNCFM1K4B9756	639	3.17	69	DNCFM1K8B6396
C	1300	1.99	112	DNCFM1K4C1307	852	2.43	92	DNCFM1K8C8526
D	1620	1.74	140	DNCFM1K4D1627	1060	2.09	115	DNCFM1K8D1067

Type	$V_n = 2000\text{V}$				$V_n = 2200\text{V}$			
	C (μF)	R_s ($\text{m}\Omega$)	$I_{\text{rms max}}$ (A)	Part Number	C (μF)	R_s ($\text{m}\Omega$)	$I_{\text{rms max}}$ (A)	Part Number
A	338	5.33	40	DNCFM2K0A3386	288	5.66	36	DNCFM2K2A2886
B	507	3.49	60	DNCFM2K0B5076	432	3.71	54	DNCFM2K2B4326
C	676	2.83	80	DNCFM2K0C6766	576	3	72	DNCFM2K2C5766
D	845	2.28	100	DNCFM2K0D8456	720	2.41	90	DNCFM2K2D0727

Type	$V_n = 2400\text{V}$				$V_n = 2600\text{V}$			
	C (μF)	R_s ($\text{m}\Omega$)	$I_{\text{rms max}}$ (A)	Part Number	C (μF)	R_s ($\text{m}\Omega$)	$I_{\text{rms max}}$ (A)	Part Number
A	228	6.14	32	DNCFM2K4A2286	192	6.49	30	DNCFM2K6A1926
B	342	4.03	48	DNCFM2K4B3426	288	4.77	45	DNCFM2K6B2886
C	456	3.24	64	DNCFM2K4C4566	384	3.41	60	DNCFM2K6C3846
D	570	2.77	80	DNCFM2K4D0577	480	2.91	75	DNCFM2K6D0487

Type	$V_n = 2900\text{V}$				$V_n = 3100\text{V}$			
	C (μF)	R_s ($\text{m}\Omega$)	$I_{\text{rms max}}$ (A)	Part Number	C (μF)	R_s ($\text{m}\Omega$)	$I_{\text{rms max}}$ (A)	Part Number
A	162	6.83	28	DNCFM2K9A1626	144	7.08	26	DNCFM3K1A1446
B	243	5	42	DNCFM2K9B2436	216	5.16	39	DNCFM3K1B2166
C	324	3.58	56	DNCFM2K9C3246	288	3.71	52	DNCFM3K1C2886
D	405	3.05	70	DNCFM2K9D4056	360	3.15	65	DNCFM3K1D0367

Table of Values

Type	$V_n = 3300V$				$V_n = 3500V$			
	C (μF)	R_s ($m\Omega$)	I_{rms} max (A)	Part Number	C (μF)	R_s ($m\Omega$)	I_{rms} max (A)	Part Number
A	126	7.35	24	DNCFM3K3A1266	112	7.59	22	DNCFM3K5A1126
B	189	5.34	36	DNCFM3K3B1896	168	5.51	33	DNCFM3K5B1686
C	252	3.84	48	DNCFM3K3C2526	224	4.47	44	DNCFM3K5C2246
D	315	3.25	60	DNCFM3K3D3156	280	3.35	55	DNCFM3K5D0287

Type	$V_n = 3700V$				$V_n = 3900V$			
	C (μF)	R_s ($m\Omega$)	I_{rms} max (A)	Part Number	C (μF)	R_s ($m\Omega$)	I_{rms} max (A)	Part Number
A	100	7.83	20	DNCFM3K7A0107	88	8.1	18	DNCFM3K9A0886
B	150	5.67	30	DNCFM3K7B0157	132	5.98	27	DNCFM3K9B1326
C	200	4.59	40	DNCFM3K7C0207	176	4.72	36	DNCFM3K9C1766
D	250	3.45	50	DNCFM3K7D0257	220	4.06	45	DNCFM3K9D0227

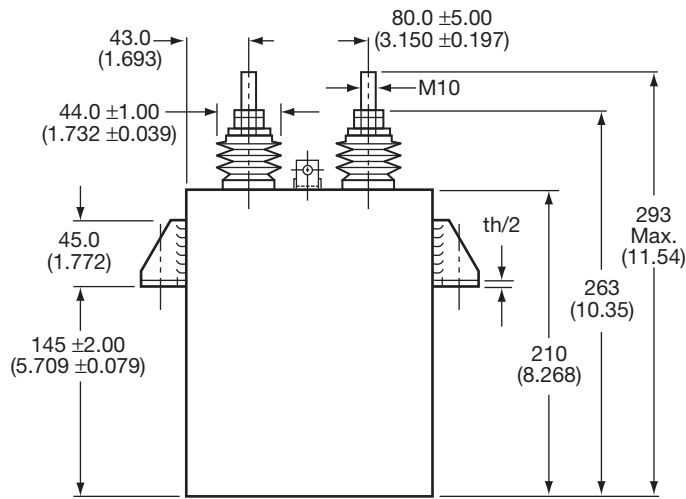
THERMAL RESISTANCES

Rth1: Between hot spot and case

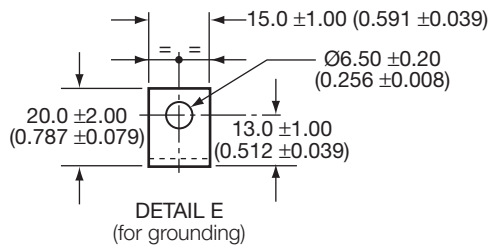
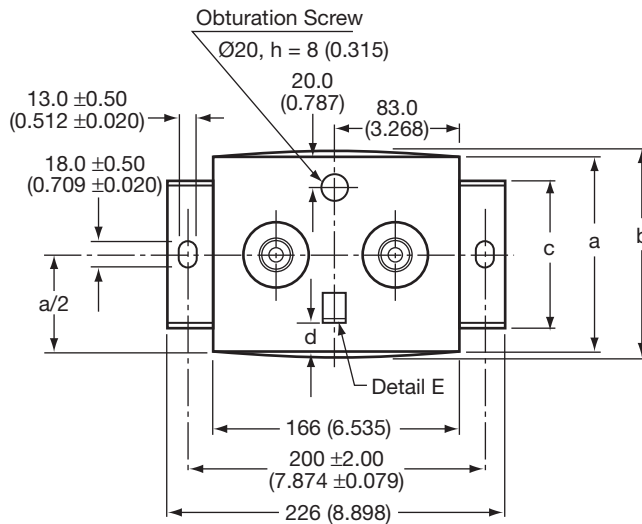
Rth2: Between case and ambient air vs convection

Width millimeters (inches)	Rth1 ($^{\circ}C/W$)	Rth2 ($^{\circ}C/W$) Natural convection	Rth2 ($^{\circ}C/W$) Forced air (velocity > 2m/s)
70 (2.756)	0.72	0.72	0.36
102 (4.016)	0.62	0.62	0.31
134 (5.276)	0.54	0.54	0.27
166 (6.535)	0.48	0.48	0.24

millimeters (inches)



Terminals
 Creepage distance
 77 (3.031)
 Air distance
 40 (1.575)



Type	a	b	c	d	Weight (kg)
A	70 (2.756)	85 (3.346)	50 (1.969)	10 (0.394)	4.5
B	102 (4.016)	117 (4.606)	50 (1.969)	10 (0.394)	6
C	134 (5.276)	149 (5.866)	100 (3.937)	20 (0.787)	7.5
D	166 (6.535)	181 (7.126)	100 (3.937)	20 (0.787)	9