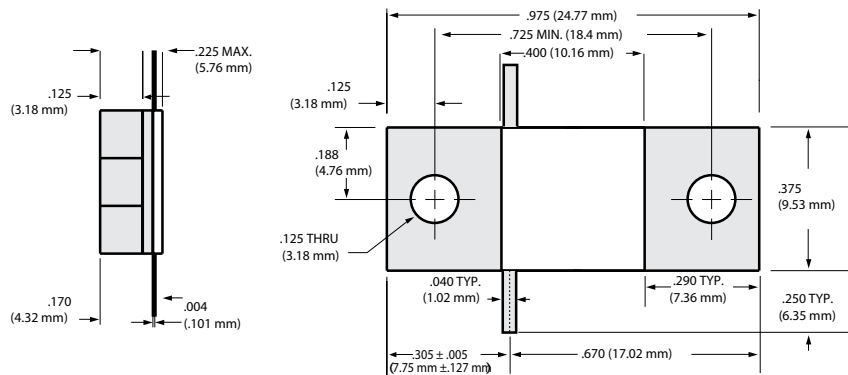
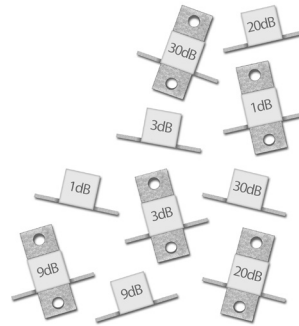


# High Power Resistive Products

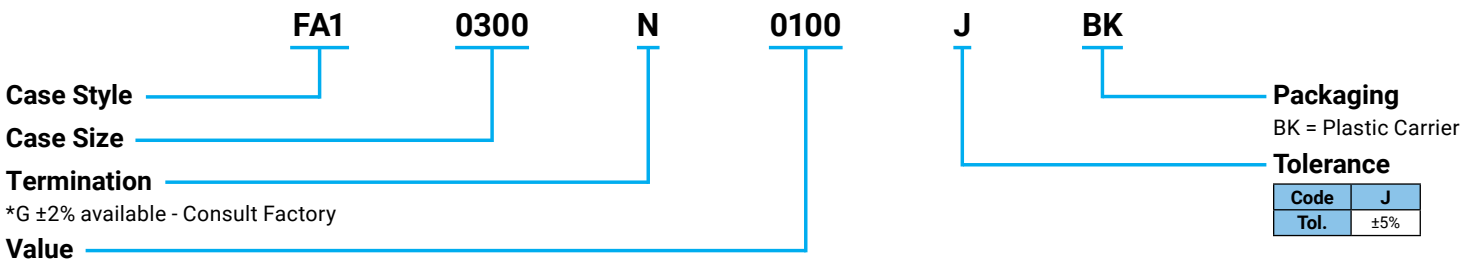
## FA1 Style

### GENERAL INFORMATION

- **Frequency Range:** DC to 3 GHz
- **Input Power\*:** 150 Watts
- **Operating Temp Range:** -55 to +150°C
- **Attenuation Stability\*\*:** 0.0001 dB/dB/°C, Max.
- **Mounting Flange:** Copper, Pd over Ni; other platings available
- **Resistive Elements:** Tantalum Nitride
- **Substrate Material:** Aluminum Nitride
- **Tabs:** 99.99% Pure Silver, .004 inches thick, Cover: Alumina
- **RoHS Compliant**
- **Reliability:** MIL-PRF-55342



AVX Part Number	Nominal Attenuation (dB)	Frequency Sensitivity (dB, max.)	Maximum Deviation from Nominal (dB)	VSWR (max.)
FA10975P01DBFBK	1	± 0.25	+0.45 / -0.15	1.55:1
FA10975P02DBFBK	2	±0.30	+0.50 / -0.30	1.50:1
FA10975P03DBFBK	3	± 0.30	+0.60 / -0.30	1.50:1
FA10975P06DBFBK	6	± 0.45	+0.80 / -0.20	1.40:1
FA10975P09DBFBK	9	± 0.35	+0.70 / -0.20	1.30:1
FA10975P10DBFBK	10	± 0.20	+0.40 / -0.30	1.40:1
FA10975P17DBFBK	17	± 1.00	+1.00 / -1.20	1.30:1
FA10975P20DBFBK	20	± 1.00	+1.00 / -1.20	1.30:1
FA10975P30DBFBK	30	± 1.05	+1.75 / -1.20	1.25:1



### Attenuator Power Handling vs. Mounting Surface Temperature

