

Side Entry Type C USB Connector

6758 Series



The AVX 6758 series of Type C USB connector is the first of its kind in the market. Offering side entry in a vertical package the part is compliant to USB 2.0 and allows for quick charging. Due to the metal shell construction the connector provides good protection against electromagnetic noise and is robust enough for selection for Automotive and Industrial product applications.

APPLICATIONS

Consumer Devices

- e.g. power bank chargers, personal computers, notebooks, power adaptors

Industrial Equipment

- e.g. POS Devices, Industrial notebooks, Industrial handheld equipment.

Automotive Equipment

- e.g. Infotainment Systems, diagnostic systems.

FEATURES AND BENEFITS

- 14 pin (USB 2.0 spec)
- Working Voltage: 5V ac/dc,
- Proof Voltage: 100V AC(rms) at 69 Hz
- Current: 3 Amps per pin
- Operating Temperature: -30°C to +85°C
- Metal Casing provides good EMF protection
- Metal legs allow accurate placement on the PCB

HOW TO ORDER

20

Prefix

20 = Socket Connector

6758

Series

0XX

No. of Ways

014 = 14 Pins

010

Description

010 = Side Entry
(Length 10mm)

00X

Plating Option

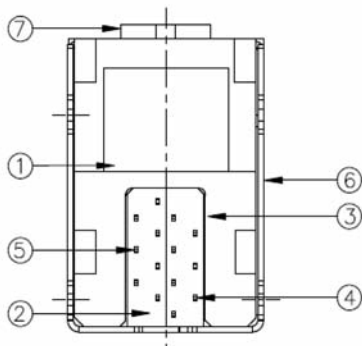
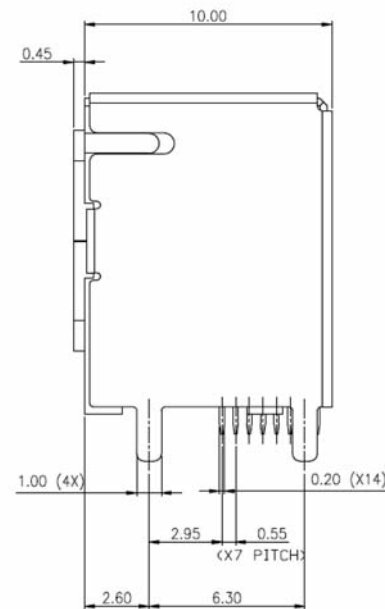
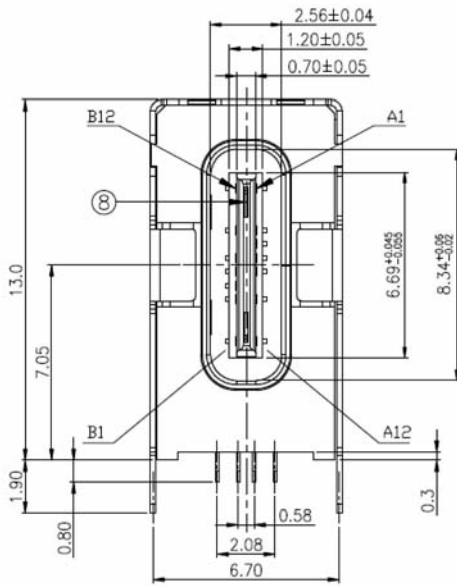
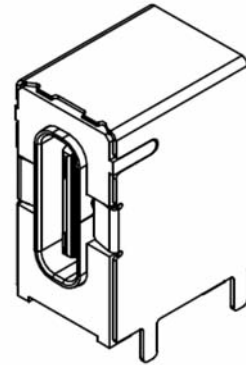
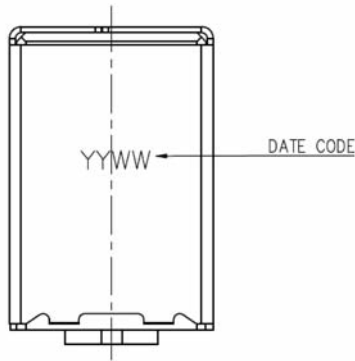
006 = Gold Flash Over Nickel
016 = Min 0.075µm (3µ")
Au Over Nickel
007 = Nickel Plated With Gold
Over Palladium Nickel
Tin On Solder Tails

Side Entry Type C USB Connector

6758 Series

USB 3.1 TYPE C RECEPTACLE

20 6758 014 010 016



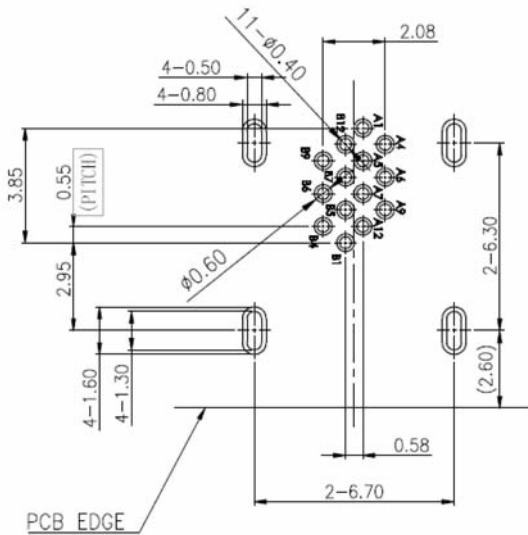
Item	Description	Material	Finish	Qty	Note
1	Housing (P1)	Hgh Temp Plastic	UL94 V-0 Black	1	---
2	Insulator (P2)	Hgh Temp Plastic	UL94 V-0 Black	1	---
3	Insulator (P3)	Hgh Temp Plastic	UL94 V-0 Black	1	---
4	Contact (1)	Copper Alloy	Au 3μ" min on Contact Area	7	T = 0.12
5	Contact (2)	Copper Alloy		7	T = 0.12
6	Outer Shell	Stainless Steel	50μ" Min Solderable Ni	1	T = 0.20
7	Main Shell	Stainless Steel	50μ" Min Solderable Ni	1	T = 0.30
8	Mid Plate	Stainless Steel	50μ" Min Solderable Ni	1	T = 0.15

Side Entry Type C USB Connector

6758 Series

USB 3.1 TYPE C RECEPTACLE

20 6758 014 010 016



RECOMMENDED PADS LAYOUT WITHOUT POST

Note: Tolerance for PCB Layout is ± 0.05 , Thickness: 1.2mm

Pin	Signal Name	Mating Sequence
A1	GND	First
A4	V _{BUS}	First
A5	CC1	Second
A6	Dp1	Second
A7	Dn1	Second
A9	V _{BUS}	First
A12	GND	First

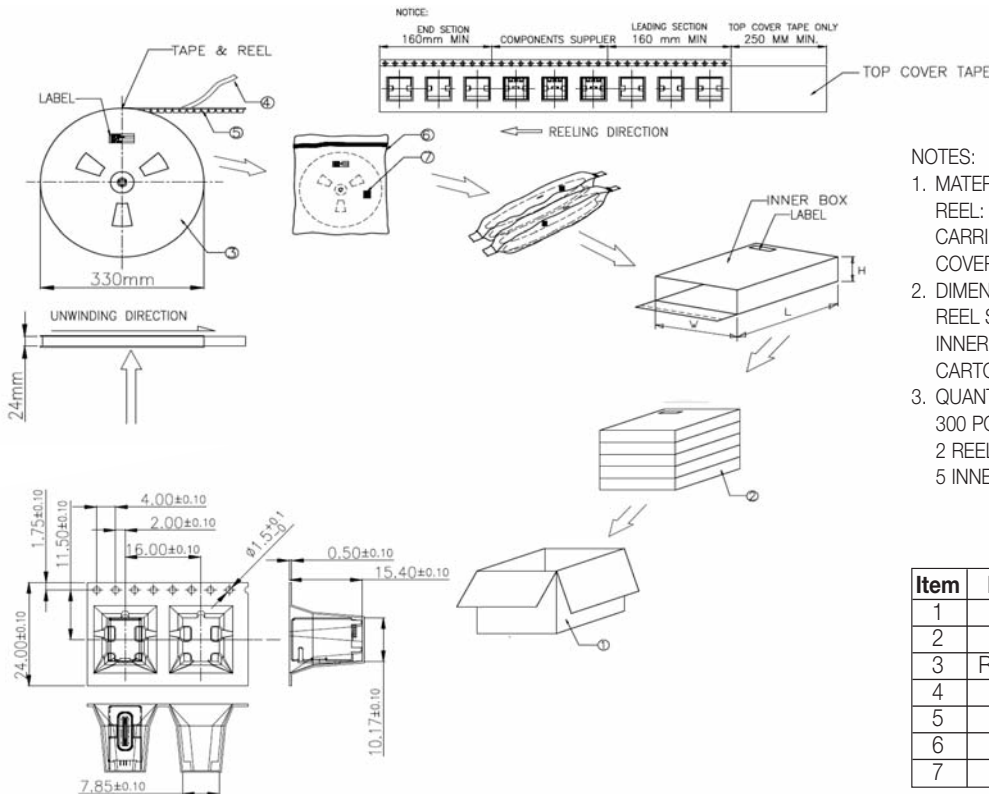
Pin	Signal Name	Mating Sequence
B12	GND	First
B9	V _{BUS}	First
B7	CC2	Second
B6	Dp2	Second
B5	Dn2	Second
B4	V _{BUS}	First
B1	GND	First

NOTES:

- ELECTRICAL CHARACTERISTICS:
 - RATINGS:
 - POWER PINS COLLECTIVELY (PINS A1, A4, A9, A12, B1, B4, B9, B12): 3A
 - SIGNAL PINS (OTHER): 0.25A
 - CONTACT RESISTANCE:
 - INITIAL: 40mΩ (MAX) FOR ALL CONTACTS.
 - AFTER TEST: 50mΩ MAX FOR ALL CONTACTS.
 - DIELECTRIC WITHSTANDING VOLTAGE: 100V AC FOR ONE MINUTE.
 - INSULATION RESISTANCE: 100MΩ MIN. MEASURED BY 100 VDC.
- MECHANICAL CHARACTERISTICS:
 - PLUG INSERTION FORCE: 5N-20N.
 - PLUG EXTRACTION FORCE INITIAL: 8N-20N. AFTER TEST: 6N-20N
- DURABILITY TEST: 10,000 CYCLES.
- FOR REFLOW SOLDERING LEAD-FREE PROCESS.
- SOLDERING HEAT RESISTANCE REFLOW SOLDERING 260°C.
- PLUG INTERFACE DIMENSIONS CONFORM TO USB TYPE-C SPEC.
- PACKAGING: TAPE AND REEL.
- DATE CODE: YY WW

WEEK (01-52)
YEAR (10-)

PACKING DETAILS



NOTES:

- MATERIAL:
 - REEL: BLUE PS
 - CARRIER: TRANSPARENT PS
 - COVER TAPE: TRANSPARENT PE
- DIMENSION:
 - REEL SIZE: DIA=330.0mm, W=24mm
 - INNER BOX: L=390mm, W=381mm, H=86mm
 - CARTON: L=420mm W=400mm, H=460mm
- QUANTITY:
 - 300 PCS/REEL
 - 2 REELS/INNER BOX: 600PCS
 - 5 INNER BOXES/CARTON: 3000PCS

Item	Description	Material	Qty	Color
1	Carton	K=A	1	
2	Inner Box	7+A	5	
3	Reel Assembly	PS	10	Blue
4	Cover Tape	PE	1	
5	Carrier Tape	PS	4	
6	PE Bag	PE	10	
7	Desiccant		10	