

EC614 Ultra-Fast Tuning SP4T

The EC614 is a high performance SP4T for antenna tuning applications.

Extremely fast switching and wide bandwidth are required for optimal WLAN antenna tuning. The EC614 is designed to enable significantly improved throughput performance in WiFi applications

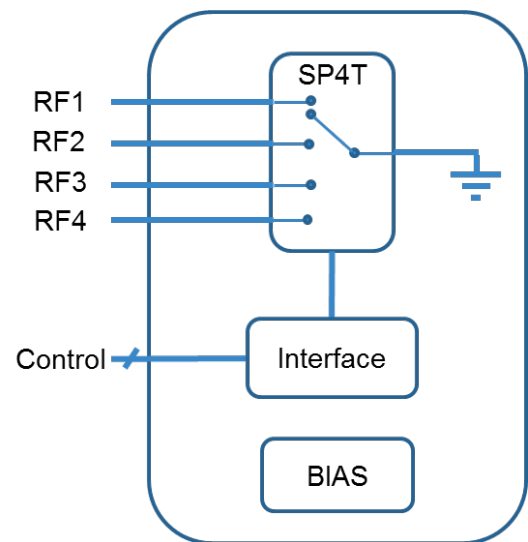
FEATURES

- **High performance Shuntless SP4T for Antenna Band Switching or Active Steering™**
 - Ultra Fast 250 nsec SP4T Switch Time
 - Ultra Wide Bandwidth: 100 – 7000+ MHz
- **2.3-3.3V V_{DD} Range**
- **Flexible Control Interface**
 - GPIO, SPI or MIPI
- **Tiny 2X2 mm 16L QFN Package**

AVAILABILITY

Samples: **NOW** Production: **NOW**

Functional Block Diagram



Tiny 2x2 16L QFN Package

