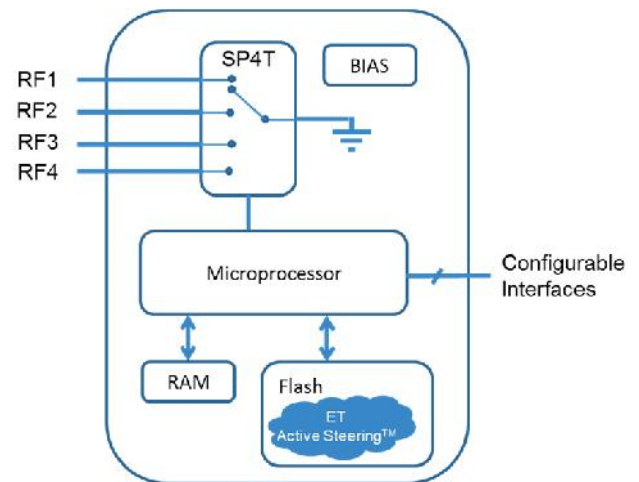


# EC482 WiFi Active Steering™ Processor

The EC482 is a highly integrated device for WiFi antenna Active Steering™.

It contains a high performance SP4T for antenna tuning applications with industry leading switching time and low  $R_{on}$  along with a full featured microprocessor with embedded Active Steering™ firmware.

Functional Block Diagram



## FEATURES

- Ultra Fast Shuntless SP4T for Antenna Active Steering™ switching in 250 nsec!
- Full featured embedded uP
- Embedded Active Steering™ Algorithm Firmware
- Configurable Control Interface
- Supports up to 8 X 8 MIMO
- Very low operating and standby supply current
- Tiny 2.5 X 2.5 mm 16L QFN Package

## AVAILABILITY

Samples: NOW    Production: NOW

System Application Diagram (2 x 2 Client)

