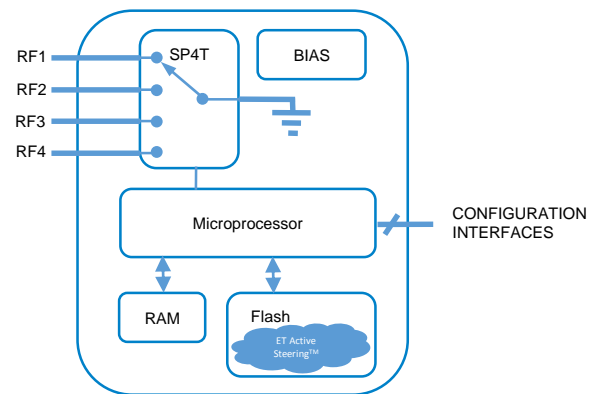


EC469 Cellular Active Steering™ Processor

The EC469 is a controller enabling Active Steering™ in Cellular applications.

The EC469 includes a high performance RF SP4T switch and Ethertronics' proprietary control algorithm for Active Steering™. The EC469 and Ethertronics antenna technology provide revolutionary improvements in system link margin and reliability.

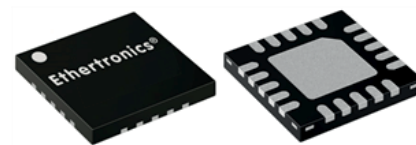
Functional Block Diagram



FEATURES

- **High performance Shuntless SP4T for Antenna Active Steering™**
 - Low 900 m-Ohm R_{on}
 - Handles Cellular Power Levels
 - Designed for Multi Band LTE Systems
- Full Featured Microprocessor
- Fully Customizable Control Interface
 - SPI, I²C, UART and others
- Small 2.5 X 2.5 mm 16L QFN Package

2.5 x 2.5 mm Packaging



AVAILABILITY

Samples: NOW Production: NOW