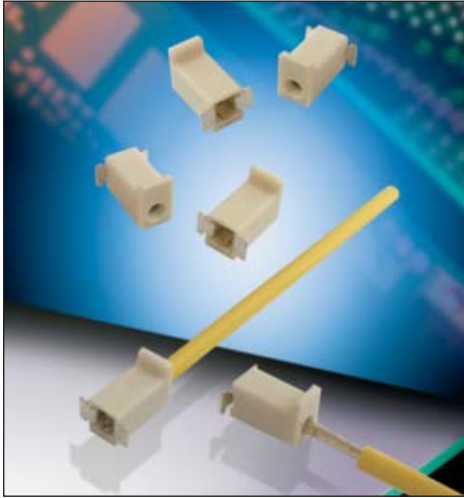


Single Vertical Top Entry 18 AWG Solid

58-9296



Vertical poke-home connectors were introduced into the market a few years ago to provide a reliable, yet cost effective discrete wire-to-board termination in perpendicular applications. Designed to bridge the gap between inconsistent hand soldering of wires and costly 2-piece connector systems, these connectors are available in a range of positions and configurations while accepting 18 to 26AWG solid or stranded wires.

This latest connector was developed specifically to support the high volume 18AWG solid wire applications used in power supply, LED driver and industrial control products where PCB space is limited. This new 9296 connector offers a robust single beam contact which securely captures and retains the wire in a 23% smaller package size.

APPLICATIONS

- Replace inconsistent hand soldered perpendicular wire terminations onto PCB's in:
 - Power Supplies
 - LED Drivers
 - Industrial/Motor Controls
- Offer a simple and cost reduced solution to existing 2-Piece connector systems

FEATURES AND BENEFITS

- Pre-Plated phosphor bronze contact material provides excellent spring performance with high fatigue and corrosion resistance
- The single stamped and formed box contact maximizes board attachment and wire capture strength
- Tight tolerance and wire insulation stop helps to prevent potting from flowing into the connector during encapsulation processes
- Integral molded in flange provides a generous vacuum pick-up point for automated SMT placement

ELECTRICAL

- Current Rating: 8 Amps
- Voltage Rating: 600 VAC

ENVIRONMENTAL

- Operating Temperature: -40°C to +130°C

MECHANICAL

- Insulator Material: Glass-Filled Nylon 46, UL94V0
- Contact Material: Phosphor Bronze
- Plating: Lead-Free Tin Over Nickel
- Durability: 3 Cycles

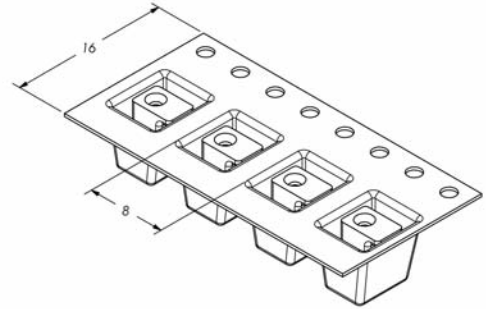
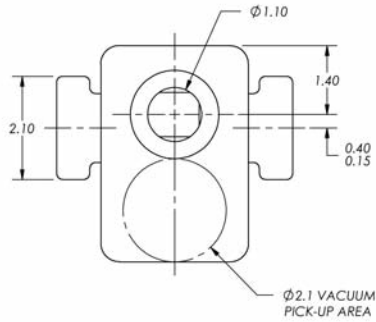
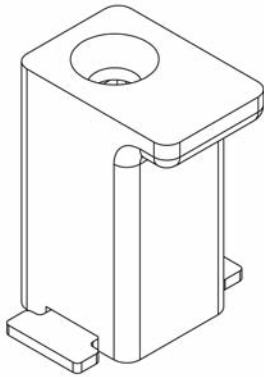
HOW TO ORDER

589296001000014

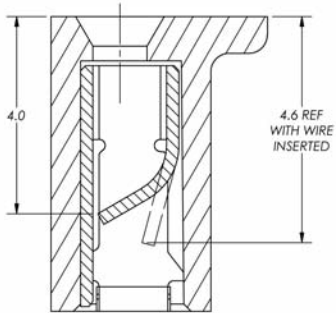


Single Vertical Top Entry 18 AWG Solid

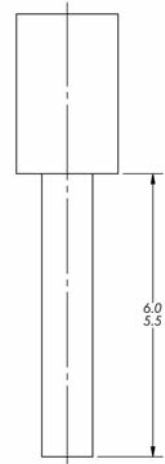
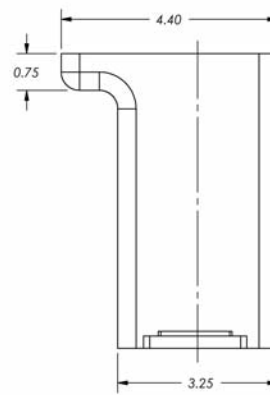
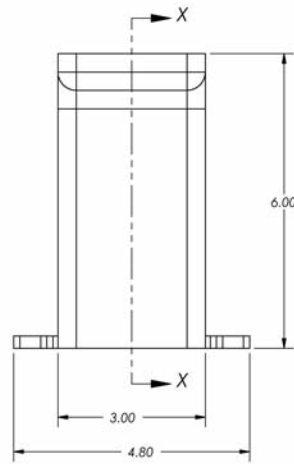
58-9296



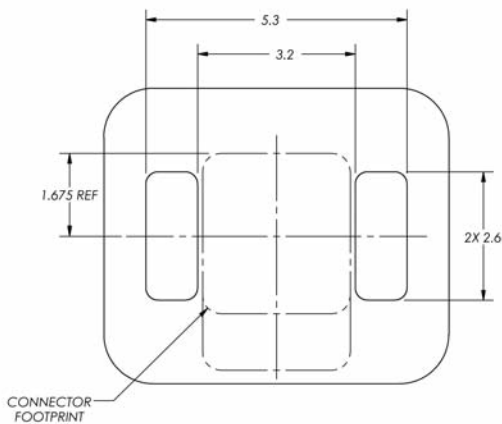
PARTS IN POCKET TAPE
SCALE 2.5:1



SECTION X-X



**RECOMMENDED
WIRE STRIP DETAIL**



RECOMMENDED PCB LAYOUT

NOTES:

1. HOUSING MATERIAL: GLASS-FILLED, HIGH TEMP. THERMOPLASTIC; UL94V-0; COLOR: NATURAL.
2. CONTACT MATERIAL: HIGH STRENGTH PHOSPHOR BRONZE ALLOY; PRE-PLATED LEAD-FREE TIN OVER NICKEL PLATING.
3. PACKAGING: POCKET TAPE ON REELS; 1,250 PARTS PER REEL.